

SANIGRIND® Pro Grinder

CONNECTIONS



TOILET



SINK



SHOWER



BATHTUB



LAUNDRY SINK



WASHING MACHINE

APPLICATIONS



RESIDENTIAL COMMERCIAL

FULL VIEW OF COMPLETE BATHROOM



CLOSE-UP VIEW OF PRODUCT



Example of installation. Follow local plumbing codes for actual install.

The **Sanigrind Pro** is a **1 HP pump system** used to install a complete bathroom up to **25 feet below the sewer line**, or even up to 150 feet away from a soil stack. It incorporates a grinder system which is ideal for uncontrolled environments in both residential and commercial applications (ie. rental unit, offices, warehouses, etc).

The **Sanigrind Pro** is designed to handle **sanitary products** that may have been flushed down the toilet; such may consist of condoms, sanitary napkins, q-tips, dental floss, etc.

- Discharges the waste through a **3/4" or 1"** rigid pipe. A **non-return valve is included** on the discharge elbow assembly provided with the system. This elbow can be rotated 360 degrees depending on the discharge installation.
- Has been designed with a **1-1/2" vent connection** on the top of the lid. All plumbing codes require connection to a vent system. Please note that the vent system should be a two-way air vent as air needs to freely flow both ways. Note: The use of mechanical vents, air admittance valves or similar devices is not permitted.
- This pump is designed to be connected to **any conventional toilet** with a bottom outlet (not supplied by Saniflo). Note that there should be a minimum 1/4" per foot gravity fall on the waste pipe coming from the toilet into the pump.
- Will also discharge gray water from any **sink, bath/shower, urinal and even a washing machine** (indirect connection). The wastewater will drain into the system via two 2" inlets with built-in check valves on either side of the housing. Note that when adding a bathtub/shower, the base should be raised up by a minimum of 8" off the floor.
- An easy access service panel is located on top of the pump. This will **give you easy access to the electrical components** such as the capacitor, microswitch, electronic board and membrane. For a full list of parts, please refer to the next page.

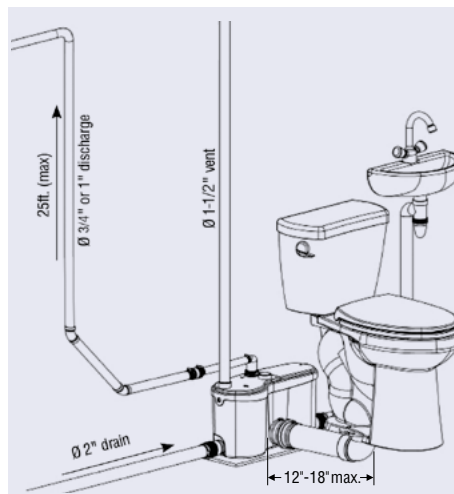


PUMPING DISTANCE

25 Ft



150 Ft



USE ANY CONVENTIONAL TOILET TO COMPLETE YOUR BATHROOM INSTALLATION

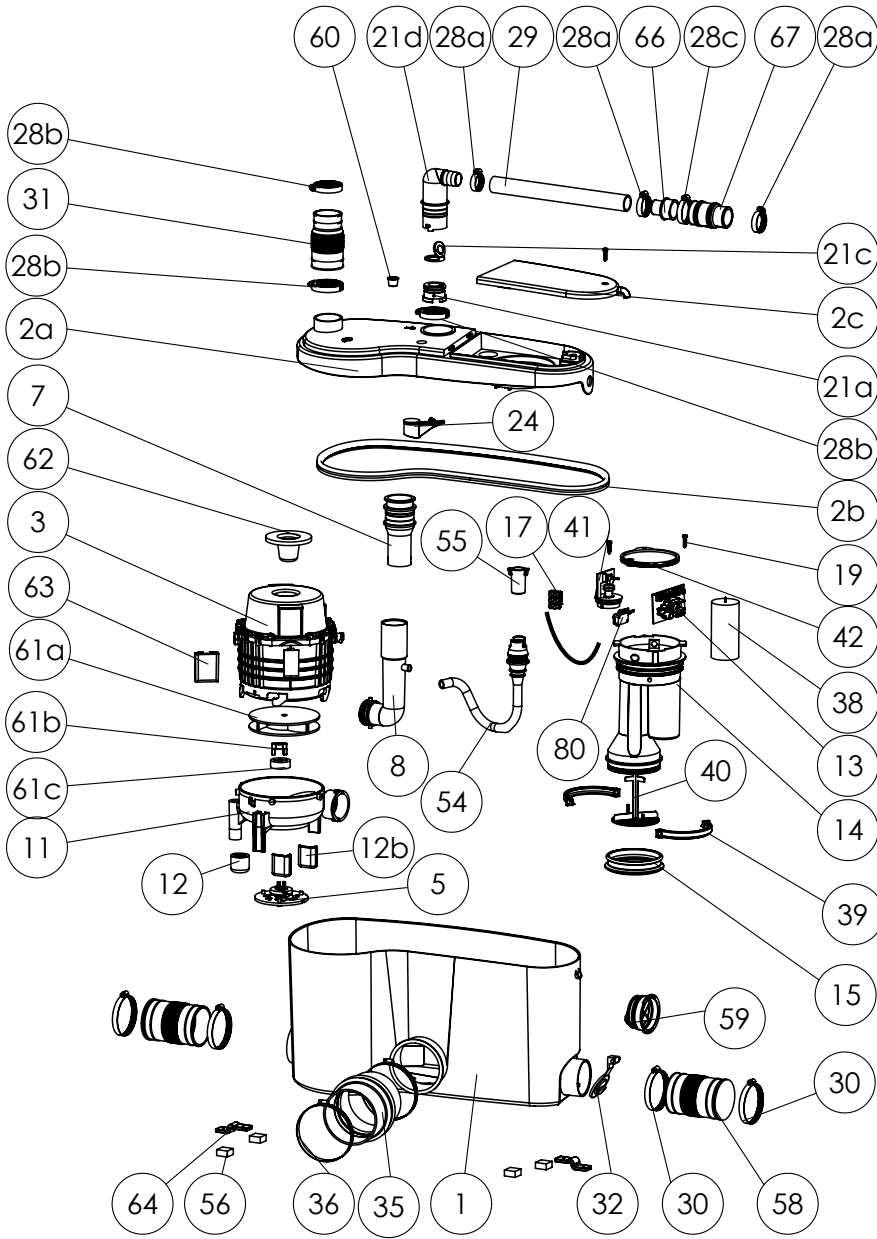
There are no limitations when it comes to designing your bathroom around the Sanigrind Pro (014) system as you can select **any conventional toilet of your choice**.

Mix and match your fixtures (shower, bathtub, sink) from other brands to complete your installation.

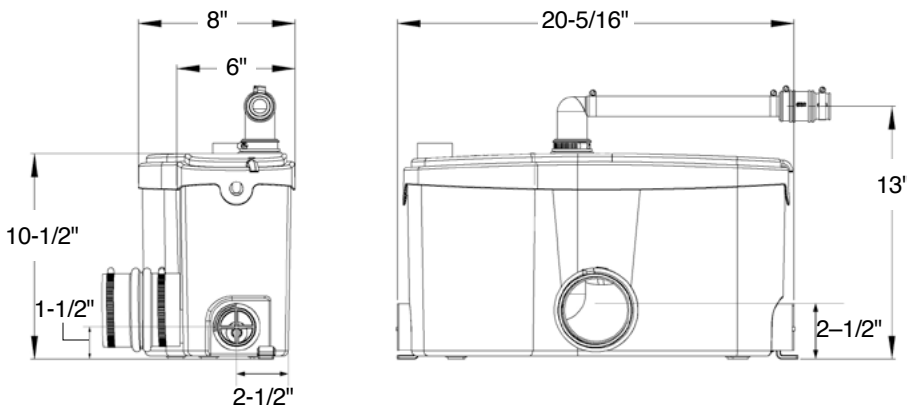
The unit can either be **installed on top of the floor** while the rest of the fixtures are installed on a raised platform or **you can lower the pump** eliminating the need to create a subfloor.



PLEASE CALL US TOLL-FREE AT
800-571-8191 (US) / 800-363-5874 (CDN)
 TO PURCHASE PARTS REFERENCED BELOW



DIMENSIONAL DRAWINGS



Choose any conventional toilet, shower, bathtub or sink
 and enjoy your dream bathroom.

TECHNICAL SPECIFICATIONS

Pump type:

Grinder

Electrical:

120 V – 60 Hz /9 Amps (Max)

Motor:

1 HP oil-filled thermally protected motor

Capacitor rating:

60 microfarad

Operating Temperature:

104°F (110°F Max.)

Power cord length:

49 inches

Noise level:

≤ 63 dBA (Lp) (measured at 3 ft.)

Discharge pipe diameter:

3/4" or 1"

Discharge rate at 25 ft:

19 GPM

Discharge rate at 3 ft:

38 GPM

Shut-off head:

38 ft.

Normal running time:

Depends on toilet system

Capacity:

3.2 gallons / 12.1 liters

Inlets:

2" (sides), 1-1/2" vent (top)

Method of activation:

Membrane/microswitch

Shower/bathtub base height:

8" min

Weight:

30 lbs / 13.6 kg

Certifying agencies:

CSA (IPC, NSPC), IAPMO (UPC)

Recommended accessories:

Descaler, Sanialarm

Connections:

Bottom outlet toilet, sink, shower/bathtub,
 washing machine (indirect connection via laundry sink)

