

SFA

274

07.12
IND1



IMPORTANT

**DO NOT RETURN ANY MERCHANDISE TO THE VENDOR
NE PAS RETOURNER DE MARCHANDISE AU VENDEUR**

For Customer Service, Returns or Technical Questions, please call Saniflo's technical support toll-free at
800-571-8191 (USA) or 800-363-5874 (CDN).

Pour le service client, les retours ou toute question technique, merci d'appeler le service technique de Saniflo au
numéro suivant : 800-571-8191 (USA) ou 800-877-8538 (CDN).

The user should retain these instructions for future reference • A lire attentivement et à conserver à titre d'information

**This product must be installed in strict accordance with local plumbing codes.
Product should be installed by a licensed plumber.
Le produit doit être installé dans le respect des règlements sanitaires locaux.
Le produit doit être installé par un plombier qualifié.**

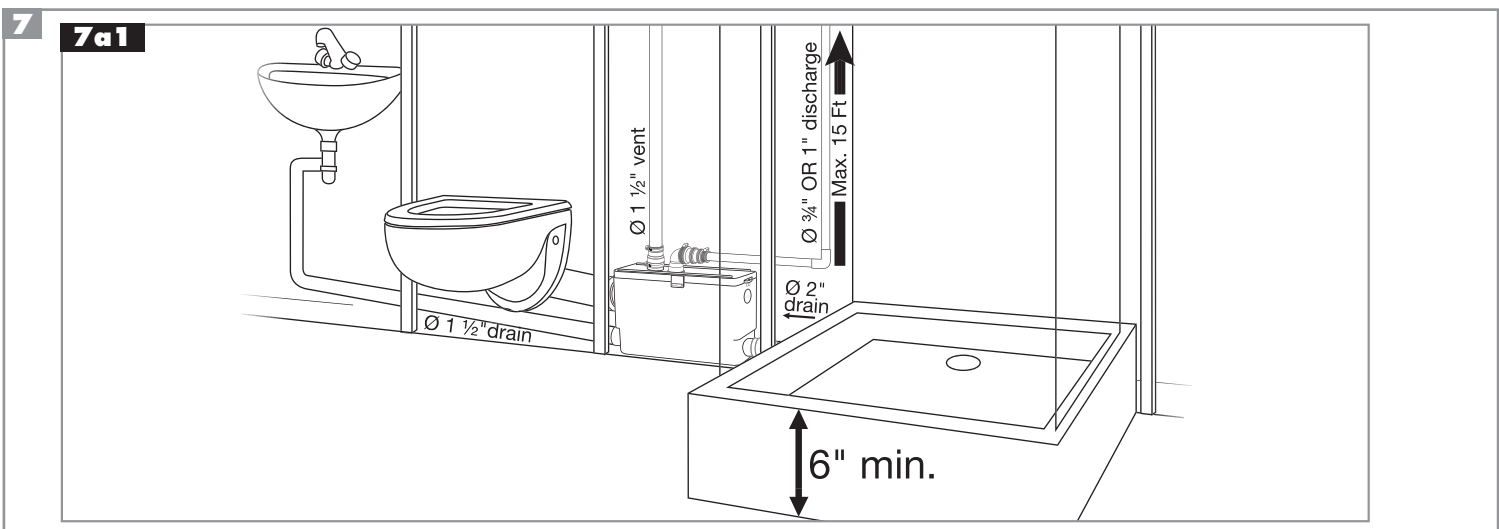
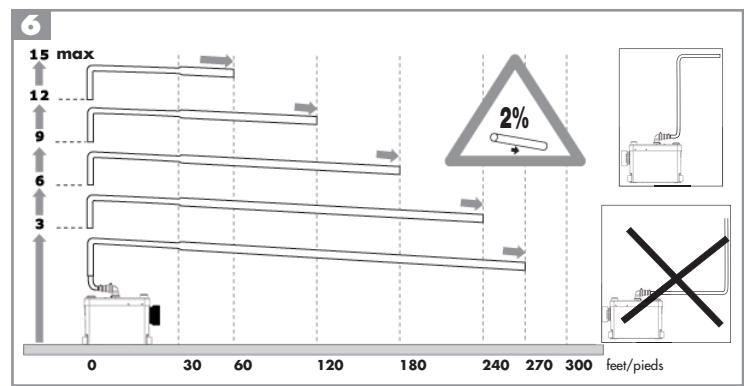
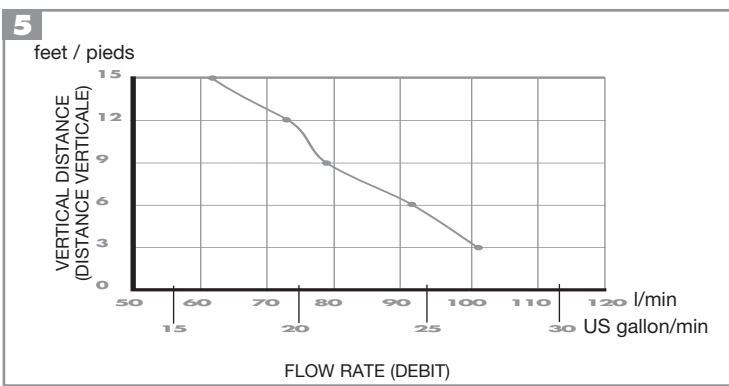
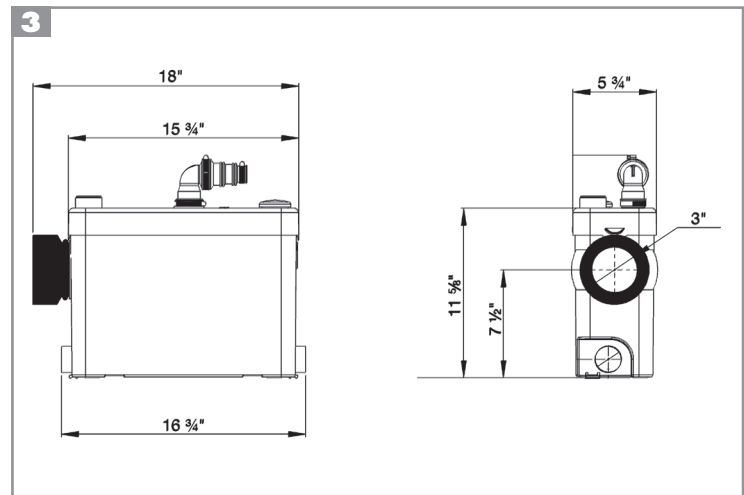
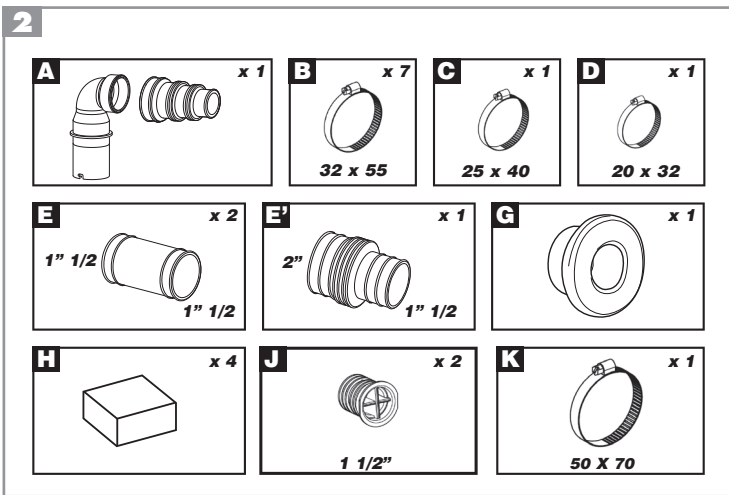
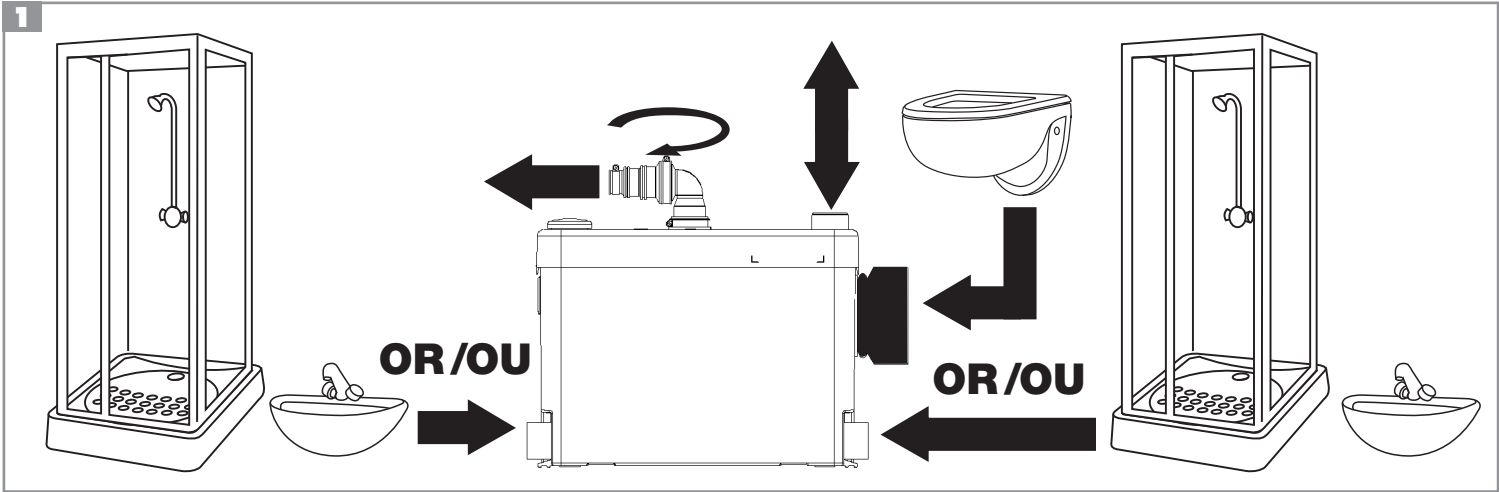


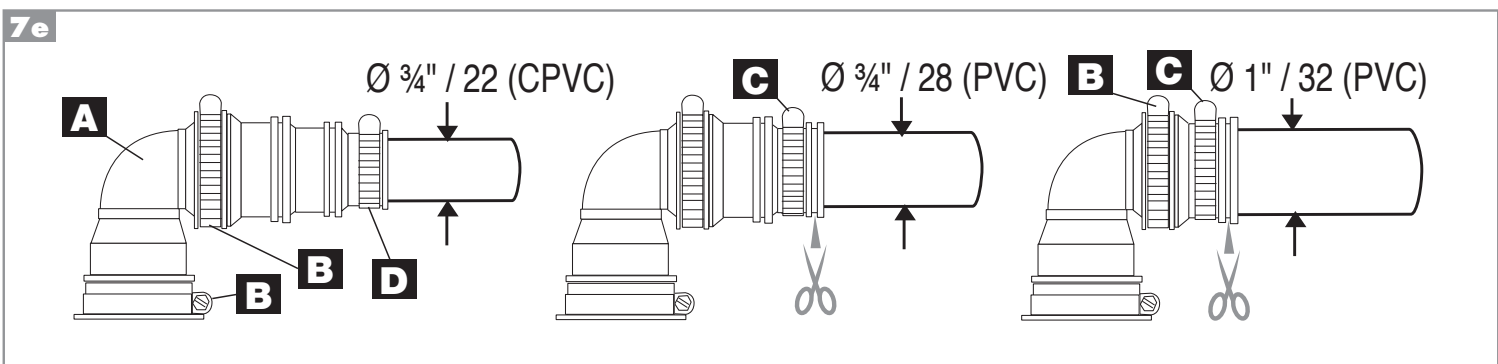
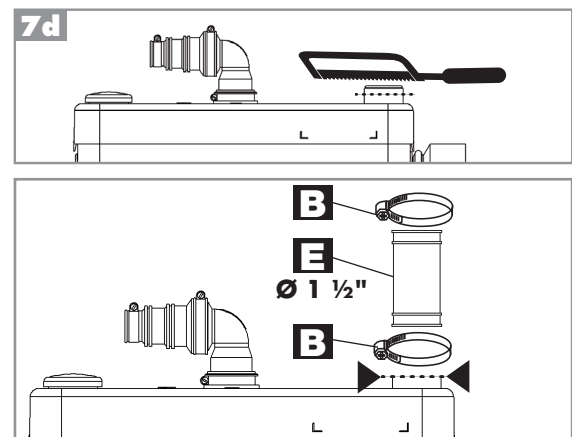
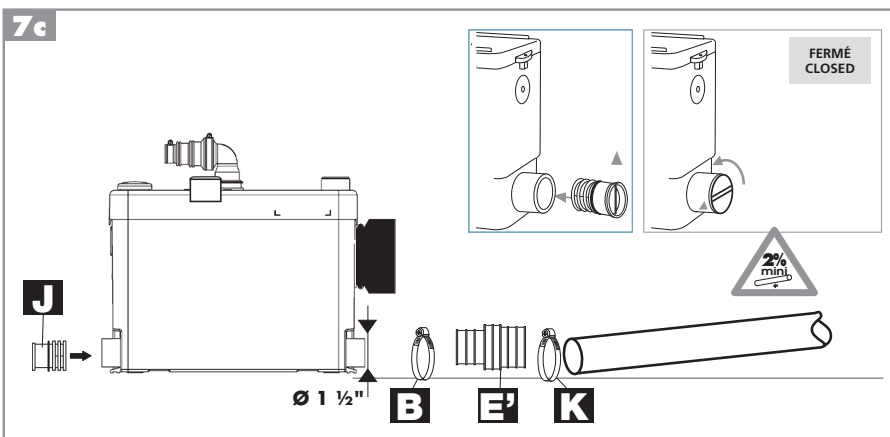
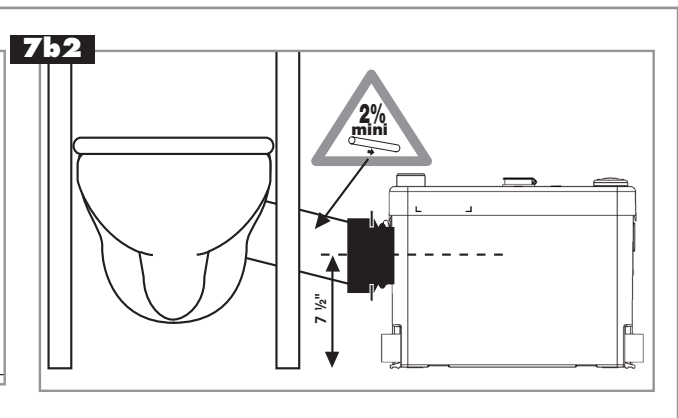
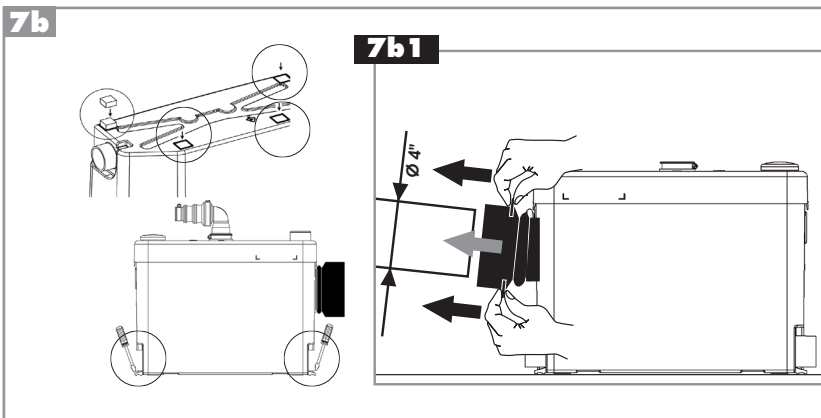
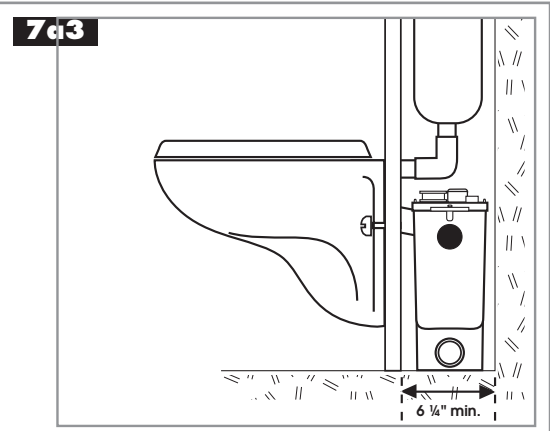
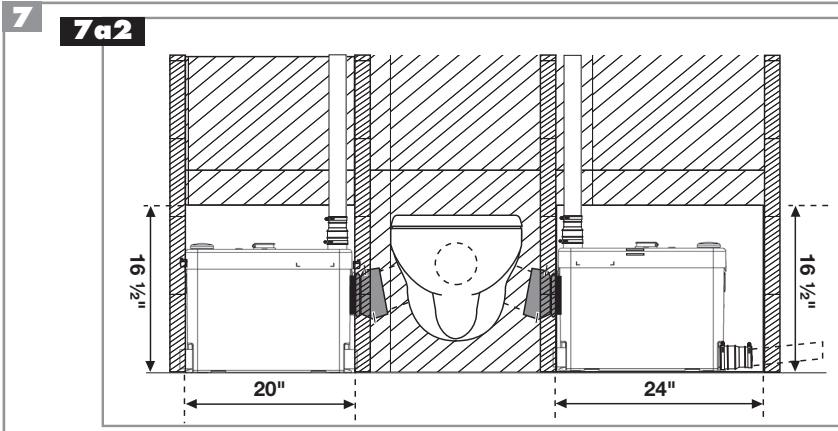
226615



**INSTALLATION AND MAINTENANCE INSTRUCTIONS
INSTRUCTIONS D'INSTALLATION ET D'ENTRETIEN**

SANIPACK®





8 **SANIPACK®**
SFA SANIFLO
 120V - 60 Hz - 4.5 A - 1/2 HP
 IP44 - ⚡ - 12 lbs

1 DESCRIPTION

The **SANIPACK®** is a compact macerator/pump especially designed to accept the waste water from a wall hung toilet or back-outlet toilet.


The **SANIPACK®** will pump away the waste from a toilet, a sink and a shower for residential applications. Installed and used correctly, the **SANIPACK®** will give consistent and reliable service.

The macerating unit also consists of three major parts: the container which houses the operating mechanism; a pressure chamber which automatically activates and deactivates; the induction motor which drives the cutting blade and the impeller. The macerating unit can simultaneously receive wastewater from several sanitary fixtures, e.g. sink, shower, but only one water closet per unit.

Macerating units are designed for the disposal of human waste, toilet paper and water. They are not intended to be used for the disposal of kitchen waste, neither are they intended to be used for the disposal of waste water from such pump appliances as dishwashers and clothes washers. Macerating system must discharge into a minimum 3/4-inch sanitary drainage pipe. The macerating system will pump up to 15 feet vertically, with a 1/4" per foot gravity fall (minimum) constantly throughout the horizontal run to the point of discharge.

If you require a vertical lift it should precede any "horizontal" run and should commence as near as possible to the discharge elbow. Once you have started the horizontal run, you cannot change directions in an upward vertical manner.

Please note the following warning signs:

«  » Possible danger to personnel,

«  » Warning of possible electrical hazard.

«**WARNING**» This is a general warning that failure to follow instructions could result in poor functioning of the unit.

2 LIST OF ACCESSORIES INCLUDED-

see drawings.

3 DIMENSIONS- see drawings.**4 TECHNICAL DATA**

Application	1 toilet + sink + Shower
Type	P30
Maximum Vertical Pumping	15 Ft
Voltage	120 V
Frequency	60 Hz
Maximum current consumption	4.5A
Max. Temperature	104° F
Degree of protection	IP44
Net Weight	12 Lbs

WARNING: Only installations conforming to the above specifications are acceptable.

5 PERFORMANCE CURVE- see drawings.**6 VERTICAL/HORIZONTAL PUMPING COMBINATIONS-** see drawings.**7 INSTALLATION**

SANIPACK® is designed to fit behind paneling or within the wall, and should be installed by a qualified person.

WARNING: The macerator must be connected to a wall hung or back-outlet toilet which its outlet must be higher than the inlet of the macerator (7-1/2" CL). Note that the drain pipe coming out from the toilet and going into the connection of the macerator should have the proper 1/4" per foot gravity fall.

The macerator has fastenings preventing it turning or from moving.

7a EXAMPLE OF INSTALLATION

See drawings **7a1 7a2 7a3**.

WARNING: Provide an access panel of the following dimensions to enable the unit to be removed for possible service:

L= 20" x H = 16 1/2" if the side inlets are not used

L= 24" x H = 16 1/2" if the side inlets are used

WARNING: A screwdriver or other tool should be required to remove the access panel.

7b CONNECTION TO THE TOILET

The flexible coupling is designed to accept a 4" PCV pipe draining from the toilet connection. Make sure to grease or lubricate with water or liquid soap when inserting the pipe.

WARNING: The toilet must be installed at a level providing a drop of at least 1/4" per foot into the macerator.

7c CONNECTION TO SIDE-INLETS (SHOWER AND SINK)

- To make the connection to the side inlets, use connector **E** or **F**. Secure it with clamps **G** and **H**.
- Plug the unused inlet with blanking plug **I** after greasing the joint.

WARNING:

Ensure when connecting a shower to the macerating unit that the underside of the shower tray is raised by at least 6 inches (min.) from the floor.

7d CONNECTION OF A VENT SYSTEM

The macerating unit must be vented. It has 2 inlets on the top of the cover: a 1 1/2" cap and a hole of smaller diameter.

The unit must be connected to a vent system according to the plumbing codes. Put the waste inlet (provided) on the cap and clamp it down. then, connect the vent pipe. Note that all fixtures connected to the system must also be vented.

WARNING: Do not use an air admittance valve or a mechanical spring-loaded venting device, as these devices are one-way valves. The air pressure in and outside the macerating unit must be equal, a "cheater" vent will obstruct the airflow one direction.

Note: the smaller diameter 1/2 hole must be plugged with a plastic cap supplied **G**.

7e CONNECTION OF THE DISCHARGE PIPE

The plastic discharge elbow/check valve assembly should be inserted (long end) into the rubber hose located on the top of the lid. The step-down rubber fitting should then be inserted at the discharge side of the elbow assembly and secured with the provided metal clamps. The step-down rubber fitting may need to be cut depending on the discharge pipe diameter. Three metal clamps should be used to secure all fittings.

Install a "full-port" ball or gate valve and a union in the discharge pipe in order to facilitate the removal of the macerating unit. Place the union or hose connector then the valve at the lower portion of the discharge pipe.

If you wish the unit to pump vertically and horizontally you may calculate that 3 feet of vertical lift is equivalent to 30 feet of "horizontal" run.

Each bend or change of direction causes minor losses, which must be deducted from the discharge performance figures in accordance with the usual head loss practice. (Rough guide: reduce discharge height by 3 feet for each 90° turn).

The discharge pipe work can be made from 3/4" diameter material. Copper (Type M), CPVC or PVC. Use long turn bends and not elbows, elbows are not normally available in plastic piping, use two 45° pieces back to back to make a 90° elbow.

The connection to the soil-stack or sewer pipe should be made with an approved wye fitting. When in doubt about this procedure please have a plumbing contractor install this for you.

7f ELECTRICAL CONNECTION

All wiring should be in accordance with the applicable electrical code in your territory. The macerating system requires a single-phase 120-volt, 15 Amp. supply. When installed in a bathroom, the receptacle should be 40 inches away (in a straight line) from a shower or bathtub. Connect only to receptacle protected by a ground fault circuit interrupter (GFCI).

WARNING: risk of electric shock - this pump is supplied with a grounding conductor and grounding type attachment plug to reduce the risk of electrical shock. Be certain that it is connected only to a properly grounded - type receptacle.

10 USAGE

The normal domain of application of SANIFLO macerating units only concerns the disposal of human waste, toilet paper and water.

SANIPACK® is designed for family use only and cannot accept without damage the disposal of sanitary items such as condoms, tampons, sanitary pads and cotton swabs.

CAUTIONARY NOTES:

Do not discharge any acids, alkaloids, solvents painting, paint strippers, food waste, plastic bags, metal such as nails, hairpins, wood, building materials, kitty litter or anything that could halt or damage or corrode the unit.

Disregarding the above might damage the macerating unit and shall void your warranty.

Do not hang bleach blocks or hydrochloride cleaners in the toilet tank. These solutions have been shown to deteriorate the plastic and neoprene components of the flush and fill valves, and may cause leaks. In the event of a power loss do not use the toilet or any other sanitary fixture connected to the macerating unit since it will not work until the power is restored.

The toilet works as a conventional flushing toilet and needs no maintenance in normal use. However, there is nothing wrong with cleaning out the macerating unit once a year. Do not use bleach (Be careful not to let water enter the electrical cord opening).

The macerating unit starts automatically once the toilet is flushed or the bath, shower, hand basin, etc. discharge and cease operation once the contents have been pumped away.

Whenever the unit is not to be used for long periods of time (vacation, power failure, maintenance, etc.) turn off the water supply to the tank and flush the unit to evacuate the water. No leakage into the bowl should ever be permitted from the tank.

In areas, which are prone to freezing, the total system must be properly winterized. This includes the draining of all pipes, the toilet tank and bowl and the macerating tank.

The macerating system is simple to winterize. Pour a jug of plumbers' anti-freeze into the tank and flush the toilet. This will cause the macerating unit to activate and all remaining water will be replaced by plumber's anti-freeze. No parts or labour are warranted when a breakdown occurs due to freezing.

Ensure that there are no faucets left open. Drops will eventually fill up the pump and the resultant repeated start-stop of the motor may heat up to such an extent, that the thermal overload switch may eventually operate and automatically stop the motor, thus possibly causing a flood.

11 CARE OF YOUR SANIPACK®

In order to remove scale and clean the macerator and the bowl, use Saniflo's descaler.

- Disconnect the power,
- Pour an amount of descaler in the bowl and flush toilet,
- Leave it to stand for 1 or 2 hours,
- Re-connect the power,
- Rinse by operating the flushing system twice.

Carry out the operation once every 3 months on average, but the frequency may need to be changed depending on the hardness of the water.

12 FAULT-FINDING CHART

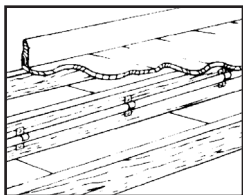
For the most part, any inconsistencies in the operation of the unit will be minor and easily rectified. Please refer to the chart below. If the problem cannot easily be remedied in this way, please call our Service Organisation.

Warning - Always disconnect the electricity supply before attempting any work on the SANIFLO®

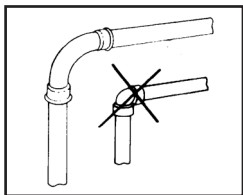
SYMPTOM	PROBABLE CAUSES	REMEDIES
• The unit stops.	<ul style="list-style-type: none"> • An object is blocking the blades. • The unit has been running for too long. 	<ul style="list-style-type: none"> • Ask an approved repair agent to intervene.
• The motor intermittently activates.	<ul style="list-style-type: none"> • The WC cistern or taps are running/leaking. • The external non-return valve is faulty. 	<ul style="list-style-type: none"> • Check the installation upstream. • Clean or replace the non-return valve.
• The water in the WC pan goes down very slowly.	<ul style="list-style-type: none"> • The inner grille (4) is clogged. • The air inlet is clogged up. 	<ul style="list-style-type: none"> • Call a service engineer to clear the grille. • Clear the air inlet.
• The motor operates normally, but continues to run for a long time.	<ul style="list-style-type: none"> • The length or height of the installation is over specification, or there are too many bends/elbows. • The pump itself is blocked. 	<ul style="list-style-type: none"> • Check the installation. • Call a service engineer to unblock the unit.
• The motor does not activate.	<ul style="list-style-type: none"> • The electrical supply is switched off. • The electrical supply is faulty. • The motor is defective. 	<ul style="list-style-type: none"> • Restore the electrical supply. • Call a service engineer to inspect the motor. • Call a service engineer to inspect the motor.
• The motor emits a rattling or crunching sound.	<ul style="list-style-type: none"> • A foreign object has entered into the grille via the WC pan. 	<ul style="list-style-type: none"> • Call a service engineer to remove the foreign object from the unit.
• The motor hums, but does not turn.	<ul style="list-style-type: none"> • The capacitor or motor is defective. 	<ul style="list-style-type: none"> • Call a service engineer to inspect the motor.
• Cloudy water comes up into the shower basin (units with side inlets).	<ul style="list-style-type: none"> • Shower installed too low as compared with the macerator unit • Hinged side inlet discs clogged up 	<ul style="list-style-type: none"> • Check the installation • Call a service engineer to remove the foreign object.

14 ADVICE**PIPE SUPPORTS**

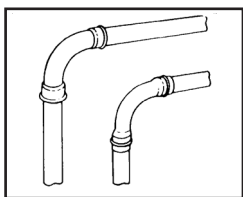
All sanitary pipe work must be supported, in accordance with the pipe manufacturer's recommendations. Avoid dipping or trapping, which may cause the build up of residual "solids" and subsequent blockage.

**BENDS**

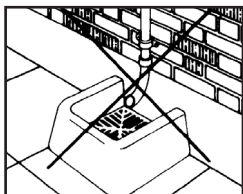
Where possible long sweeping bends should be used. Do not use short elbows. If sweeping 90° elbows are not available use two 45° elbows to make a 90° turn.

**PIPE WORK**

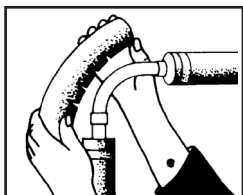
All pipe work should be either copper, PVC or CPVC (Do not use flexible pipes). Hangers should not be less than three feet apart to prevent pipe rattling.

**DISCHARGE**

Never discharge directly into an open drain, fixture, manhole or rainwater drainpipe. It is illegal for it constitutes a health hazard. Direct connections into sanitary waste systems only, shall be acceptable.

**FREEZING**

Ensure all pipe work susceptible to freezing is adequately insulated or heated. In unheated buildings, the toilet, piping and macerating unit must be properly winterized with "RV or plumbers" anti-freeze or drained completely.

**ELECTRICITY**

Before attempting any maintenance or servicing, the unit must be disconnected from the power source. The macerating system must be connected to a Ground Fault Circuit Interrupter (GFCI).

VERTICAL INSTALLATION FIRST

Any initial horizontal pipe run from the unit, prior to a vertical lift should not exceed 12-18 inches.

EASY ACCESS

The unit should be accessible and removable in the event of maintenance being required. During the installation a full-port ball valve should be installed at the base of any vertical discharge pipe work from the unit to allow easy service of the unit.

GRAVITY FALL

The unit accepts wastewater by gravity; it does not "vacuum" in water. All inlet pipe work must have a positive gravity fall, (1/4" per foot). All horizontal piping from the macerating unit must also have a positive gravity fall to allow free drainage when the pump stops.

NO DIAGONAL "UPHILL" PIPE RUNS

All discharge pipe work from the unit should run either directly vertical upwards from it or in a horizontal plane (with a small gravity flow) to the point of discharge. Pipe work should not be installed with diagonal upward slope from the unit to the point of discharge.

LIMITED WARRANTY

2 Year Warranty from Date of Purchase

Subject to the terms and conditions set out below, SFA-SANIFLO INC., (hereafter designated the as the Company) warrants that it will repair or replace the product or any of its component parts, at the Company's discretion if it deems that the product or part it is defective or does not meet the rated performance due to a manufacturing or material default.

If replacement is to be issued, this will only be extended to the first year starting from the date of purchase. Warranty repairs will apply after such date up to the warranty's date of conclusion.

TERMS AND CONDITIONS

The conditions of this warranty are the following:

- The product must be installed in accordance with the use described in the enclosed manuals.
- The product must be connected to a single phase 120V, 60Hz electrical outlet and was not subject to any negligence, accident or exposure to harmful products or substances..
- The alleged defect or fault must be reported either to the installer or to the Company during the warranty coverage period.
- The warranty coverage period is valid for 2 years.

PART OR PRODUCT EXCHANGE

The product may be exchange without cost only at the sales outlet where it was purchased subject to the following conditions:

- The customer must have an "authorized return number" from the manufacturer in order to validate exchange.
- The customer must produce proof of purchase to validate exchange.

LIMITATIONS

1. Cost of disconnection and reconnection (ie labor charges) are not covered by the warranty and are end-users responsibility.
2. Cost of mail or freight when a part or parts of the system have to be repaired at the company are not covered by this warranty.
3. In no event shall the company be reliable for any special, incidental or consequential damage, loss, or injury of whatsoever nature or kind arising from or in connection with the product or any component thereof.
4. The guarantee is transferable only when the product remains at the same premises as where it was installed initially.

Except as set forth in this Limited Warranty, the company disclaims all other warranties, express or implied, with respect to the product or any component thereof including, but not limited to, all implied warranties for merchantability and fitness for a particular purpose.

For Service and other inquiries, please call either of the addresses listed below.

United States
SFA-SANIFLO INC.
105 Newfield Avenue, Suite A
Edison, NJ 08837

Canada
SFA-SANIFLO INC.
1-685 Speedvale Avenue West
Guelph ON
N1K 1E6

Customer toll free: 800-571-8191

Telephone: 732-225-6070

Telefax: 732-225-6072

Email: sfasales@saniflo.com

Web Site: www.saniflo.com

Customer toll free: 800-363-5874 English

Customer toll free: 800-877-8538 French

Telephone: 519-824-1134

Telefax: 519-824-1143

Email: sales@saniflo.com

Web Site: www.saniflo.ca


1 AVERTISSEMENT


SANIPACK® est un broyeur pompe de faible épaisseur spécialement conçu pour être installé derrière n'importe quel châssis pour toilette suspendu. Comme tous les broyeurs de la gamme SANIFLO il évacue les effluents provenant d'un toilette et éventuellement d'autres appareils (voir détails dessin **1**).

Dans tous les cas **SANIPACK**® est destiné à un usage domestique.

SANIPACK® bénéficie d'un haut niveau de performance, de sécurité et de fiabilité dans la mesure où toutes les règles d'installation et d'entretien décrites dans cette notice sont scrupuleusement respectées.

En particulier les indications repérées par :

«  » indication dont le non-respect pourrait entraîner des risques pour la sécurité des personnes,

«  » indication avertissant de la présence d'un risque d'origine électrique,

«**ATTENTION**» indication dont le non-respect pourrait entraîner des risques pour le fonctionnement de l'appareil.

Pour tout renseignement complémentaire, veuillez vous adresser à notre service clients.

2 LISTE DES PIÈCES FOURNIES

3 DIMENSIONS

4 DOMAINE D'APPLICATION ET DONNÉES TECHNIQUES SANIPACK®

Application	1 toilette + 1 lave-mains + 1 douche
Type	P30
Évacuation verticale max.	15 pi
Tension	120 V
Fréquence	60 Hz
Intensité absorbée max.	4,5 A
Température Max.	104° F / 40° C
Indice protection	IP44
Poids net	12 Lbs

ATTENTION : toutes applications autres que celles décrites dans cette notice sont à proscrire.

5 COURBE DE PERFORMANCES

6 EQUIVALENCE HAUTEUR/LONGUEUR ÉVACUATION

7 INSTALLATION

SANIPACK® est un appareil destiné à être encastré. Son installation doit être réalisée par une personne qualifiée.

ATTENTION : dans tous les cas **SANIPACK**® doit être raccordé à une cuvette d'un toilette à sortie horizontale. Le broyeur possède des dispositifs de fixation l'empêchant de tourner ou de bouger.

7a IMPLANTATION

voir dessins joints **7a1** **7a2** **7a3**.

ATTENTION : prévoir une trappe d'accès à l'appareil de dimensions mini L = 20 po x H = 16 ½ po si les entrées latérales ne sont pas utilisées, L = 20 po x H = 16 ½ po si une entrée latérale est utilisée.

7b RACCORDEMENT AU TOILETTE

La manchette est destinée à être raccordée à une pipe de sortie d'un toilette de diamètre 4 po.

Enduire au préalable l'extrémité de la pipe avec de la graisse silicone ou du savon liquide.

Aligner la manchette avec la sortie de la pipe.

Insérer la manchette sur la pipe en poussant sur les deux languettes.

ATTENTION :

La hauteur du toilette doit être ajustée pour donner une pente de 2% mini à la pipe de sortie.

7c RACCORDEMENT AUX ENTRÉES LATÉRALES (DOUCHE ET LAVABO)

- Pour les raccordements aux entrées latérales de la cuve, utiliser un manchon **E** ou **F**. Le fixer avec les colliers **B** et **K**
- Boucher les entrées non utilisées avec les bouchons **J** (graisser préalablement le joint du bouchon).

ATTENTION :

Pour le raccordement d'une douche, veiller à surélever le receveur de la douche d'au moins 6 po.

7d RACCORDEMENT DU LAVABO

Cet appareil doit être ventilé. Il est conçu pour être adapté à deux systèmes de ventilation. Pour cela il possède 2 orifices sur le dessus (1 calotte de 1 1/2 po et un trou de petite dimension).

L'appareil doit être relié à un système d'aération comme l'exigent les codes locaux. Placez le joint accordéon (fourni) sur la calotte et serrez-le avec un collier (fourni). Connectez ensuite votre tuyauterie d'aération. Tous les appareils connectés au système doivent aussi être ventilés.

ATTENTION: N'utilisez pas une vanne d'admission d'air ni un évent à ressort car ces mécanismes sont à sens uniques. La pression d'air doit demeurer uniforme à l'intérieur et à l'extérieur de l'ensemble broyeur-pompe.

NOTE : Le trou de plus petit diamètre doit être bouché par le capuchon fourni **G**.

7e RACCORDEMENT À L'ÉVACUATION

Ces ensembles broyeur-pompe comportent un coude et un manchon à réduction en escalier; coupez simplement la partie appropriée du manchon afin de l'adapter au diamètre de votre tuyauterie.

Utilisez un tuyau rigide et non un tuyau flexible, pour éviter qu'il se déforme à la longue. Utilisez un tuyau d'évacuation de 3/4 ou 1 pouce.

Vous pouvez installer une vanne d'arrêt à passage intégral et une purge sur la partie inférieure du tuyau d'évacuation afin de faciliter l'enlèvement de l'ensemble broyeur-pompe. Placez la purge ou le connecteur à boyau puis la valve sur la partie inférieure du tuyau d'évacuation.

Si vous voulez que l'appareil pompe verticalement et horizontalement, vous devez calculer que trois pieds de montée verticale équivalent à trente pieds de trajet "horizontal".

Chaque courbe ou changement de direction provoque une perte de charge dont il faut tenir compte en calculant la capacité d'évacuation, selon les méthodes habituelles de calcul de la perte de charge. (Pour chaque courbe de tuyau à 90°, soustrayez environ trois pieds de la hauteur de relevage).

La tuyauterie de vidange peut être en cuivre (type M), en CPVC ou en PVC de 3/4 ou 1 pouce. L'extrémité ouverte du tuyau en PVC peut recevoir un de ces trois matériaux et le collier de fixation permet de fixer l'ensemble. Utilisez des courbes de tuyau plutôt que des coudes. Les coudes ne sont

habituellement pas offerts en plastique. Utilisez deux coudes de 45° pour former un coude de 90°.

Le raccordement à la colonne de renvoi ou au tuyau d'éégout doit être fait avec un raccord en Y approuvé à cette fin. En cas de doute, faites faire l'installation par un plombier.

Comme accessoire en option, nous recommandons l'installation d'un système d'alarme externe «SANIALARM» (monté sur le couvercle de l'appareil), qui avertit l'utilisateur en cas de niveau d'eau anormal à l'intérieur du broyeur. Il est disponible auprès de votre fournisseur Saniflo.

7 RACCORDEMENT ÉLECTRIQUE

Tous les branchements électriques doivent être conformes au code de l'électricité en vigueur dans votre région. Le système de broyage requiert une alimentation monophasée de 120 V 15 A. Si la prise de courant est située dans une salle de bains, elle doit être à une distance de 40 pouces (en ligne directe) d'une douche ou d'une baignoire. Ne connectez l'appareil qu'à une prise de courant protégée par un coupe-circuit en cas de défaut de mise à la terre du neutre.

ATTENTION : risque de choc électrique - cet appareil est muni d'une prise de terre (GFI) afin de réduire le risque d'électrocution. Vérifiez que votre appareil est branché sur un circuit électrique avec prise de terre.

10 UTILISATION ET PRÉCAUTIONS

Les ensembles broyeur-pompe du Groupe SANIFLO s'utilisent normalement uniquement pour évacuer les déchets humains, le papier hygiénique et l'eau.

SANIPACK® est conçu uniquement pour une utilisation ménagère et ne peut évacuer des déchets sanitaires tels que des condoms, des tampons, des serviettes sanitaires et des cotons-tiges sans risquer des dommages.

MISES EN GARDE:

Il est strictement interdit de jeter dans le cabinet des acides, des alcaloïdes, des solvants, de la peinture, des décapants à peinture, des déchets alimentaires, des sacs de plastique, du métal tel que des clous, des épingles à cheveux, du bois, des tissus, du plâtre, des gravats, de la litière pour chats ou toute autre matière qui pourrait bloquer, endommager ou corroder l'appareil. Si cette mise en garde n'est pas respectée, l'ensemble broyeur-pompe pourrait être endommagé et la garantie pourrait être annulée.

Ne mettez pas de javellisants sous forme de bloc ni de produits nettoyants au chlorhydrate dans le réservoir. Il a été prouvé que ces solutions "attaquent" les composants en plastique et en néoprène de la soupape de remplissage et de la soupape de chasse d'eau, ce qui peut causer des fuites. En cas de panne de courant, n'utilisez pas le cabinet ni les autres appareils sanitaires qui y sont reliés, car ils ne fonctionneront pas tant que le courant n'aura pas été rétabli.

L'appareil s'utilise comme un cabinet ordinaire et ne demande pas d'entretien s'il est utilisé normalement. Cependant, il n'est pas mauvais de nettoyer l'ensemble broyeur-pompe une fois par année. N'utilisez pas de javellisant (Veillez à ce qu'il n'y ait pas d'eau qui pénètre dans l'ouverture du cordon électrique).

L'appareil se met automatiquement en marche dès que la chasse d'eau est tirée ou que la baignoire, la douche ou le lavabo se vidant. Il cesse de fonctionner lorsque son contenu a été pompé et évacué.

Si vous prévoyez de ne pas utiliser le cabinet pendant une longue période (vacances, panne de courant, entretien, etc.), fermez l'admission d'eau du réservoir et tirez la chasse d'eau pour vider l'appareil. Il ne faut jamais laisser l'eau du réservoir fuir dans la cuvette.

Dans les régions où il y a un risque de gel, le cabinet doit être protégé adéquatement contre le gel. Cela signifie vider tous les tuyaux, le réservoir du cabinet, la cuvette et le réservoir du système. Pour protéger le système de broyage contre le gel, il suffit de verser 1 litre d'antigel pour appareils de plomberie dans le réservoir et de tirer la chasse d'eau du cabinet. Cela activera le système et toute l'eau qui reste sera remplacée par de l'antigel. Ni la main-d'œuvre ni les pièces ne sont couvertes par la garantie si l'appareil tombe en panne à cause du gel.

Assurez-vous qu'il n'y a pas de robinet mal fermé, sinon le moteur qui se met en route et s'arrête très souvent peut disjoncter. Il pourrait en résulter une inondation.

11 ENTRETIEN DE SANIPACK®

Pour enlever le tartre et nettoyer le broyeur et la cuvette, utiliser le détartrant Saniflo.

- Débrancher l'alimentation.
- Verser une quantité de détartrant dans la cuvette et tirer la chasse d'eau de toilette.
- Laisser reposer pendant une ou deux heures.
- Rebrancher l'alimentation.
- Rincer en actionnant la chasse d'eau à deux reprises.

Répéter l'opération environ une fois par trimestre. Toutefois, en fonction de la dureté de l'eau, il faut parfois modifier la fréquence de l'entretien.

12 INTERVENTIONS EVENTUELLES

Dans la plupart des cas, les anomalies de fonctionnement des broyeurs ont des causes mineures. Pour aider au diagnostic et à la résolution de problème reportez-vous au tableau ci-dessous. Pour tout autre problème s'adresser au service clients SANIFLO ou à un dépanneur agréé SANIFLO.



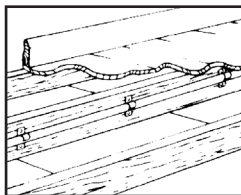
Dans tous les cas, débranchez la prise de courant avant intervention sur l'appareil

ANOMALIE CONSTATÉE	CAUSES PROBABLES	REMÈDES
• L'appareil s'arrête	• Un objet bloque les couteaux • L'appareil a fonctionné pendant trop longtemps	• Consulter un dépanneur agréé SANIFLO
• L'appareil se remet en marche par intermittence	• La chasse d'eau ou les robinets des appareils sanitaires raccordés fuient • Le clapet anti-retour fuit	• Contrôler l'installation en amont • Nettoyer ou changer le clapet anti-retour
• Le moteur tourne correctement mais l'eau descend lentement dans la cuvette	• Le panier (4) est colmaté • L'évent (27) du couvercle est bouché	• Consulter un dépanneur agréé SANIFLO • Déboucher l'évent (27)
• Le moteur tourne correctement mais ne s'arrête plus ou tourne très longtemps	• La hauteur ou longueur d'évacuation est trop importante ou trop de coudes (pertes de charge) • Le fond de pompe (11) est bouché	• Revoir l'installation • Consulter un dépanneur agréé SANIFLO
• Le moteur ne démarre pas	• Appareil non branché • Prise défectueuse • Problème moteur	• Brancher l'appareil • Consulter un dépanneur agréé SANIFLO • Consulter un dépanneur agréé SANIFLO
• Le moteur tourne avec un bruit de crécelle	• Un corps étranger dur est tombé dans la cuvette	• Consulter un dépanneur agréé SANIFLO
• Le moteur bourdonne mais ne tourne pas (et ne pompe pas)	• Le condensateur (38) est défectueux ou problème moteur	• Consulter un dépanneur agréé SANIFLO
• Retour d'eau trouble dans la douche	• Douche installée trop bas par rapport au broyeur • Battants d'entrées latérales colmatés	• Revoir l'installation • Consulter un dépanneur agréé SANIFLO

14 CONSEILS

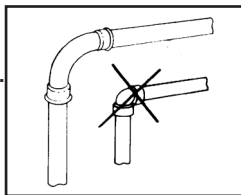
ANCRAGE DES TUYAUX

Tous les tuyaux des installations sanitaires doivent être ancrés conformément aux recommandations du fabricant pour les empêcher de pendre, car ils pourraient alors être bloqués par une accumulation de "matières solides".



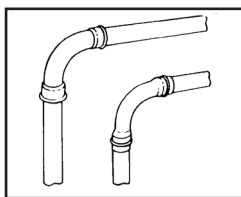
COURBES

Dans la mesure du possible, utilisez des courbes de tuyau plutôt que des coudes. Si des coudes de 90° ne sont pas disponibles, utilisez deux coudes de 45° pour former une courbe de 90°.



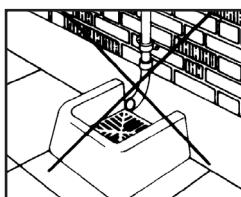
TUYAUTERIE

Tous les tuyaux doivent être en cuivre ou en plastique soudé au solvant. Il ne faut pas utiliser de tuyaux flexibles. Les pendants doivent être espacés d'au moins quatre pieds pour empêcher les tuyaux de cogner.



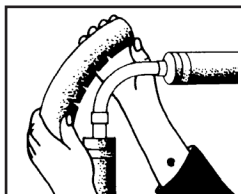
VIDANGE

Ne jamais évacuer les eaux usées directement dans un égout à ciel ouvert, un trou d'homme ou un drain pour les eaux de pluie. Cela est illégal et constitue un danger pour la santé. Seuls les branchements directs dans les systèmes de déchets sanitaires sont acceptables.



GEL

Assurez-vous que tout tuyau susceptible de geler est bien isolé ou chauffé. Dans les immeubles non chauffés, la toilette, la tuyauterie et l'ensemble broyeur-pompe doivent être protégés contre le gel avec de l'antigel de « véhicule de plaisance » ou vidés complètement.



ÉLECTRICITÉ

Avant d'entreprendre des travaux d'entretien ou de dépannage, il faut débrancher l'appareil de la source d'alimentation en électricité. Le système de broyage doit être protégé par un coupe-circuit en cas de défaut de mise à la terre du neutre.

LA TUYAUTERIE VERTICALE D'ABORD

Lorsqu'on installe des tuyaux à la verticale, il faut les poser avant de poser les tuyaux horizontaux.

ACCÈS FACILE

Il faut avoir accès à l'ensemble broyeur-pompe et pouvoir le déposer en cas de réparation. Au moment de l'installation, il faut poser une purge et une vanne d'arrêt à passage intégral à la base de tout tuyau d'évacuation vertical, pour permettre de réparer facilement l'appareil.

DESCENTE PAR GRAVITÉ

Les eaux usées se déversent dans l'ensemble broyeur-pompe par gravité. Elles ne sont pas aspirées. Tous les tuyaux d'arrivée doivent assurer l'écoulement absolu par gravité (1/4 po par pied). Les tuyaux d'évacuation horizontaux sortant de l'ensemble broyeur-pompe doivent aussi assurer l'écoulement absolu par gravité, pour que le drainage se fasse librement lorsque la pompe s'arrête.

PAS DE TUYAUX EN DIAGONALE

Tous les tuyaux de vidange sortant de l'appareil doivent soit monter directement à la verticale, soit être en position horizontale (avec un léger écoulement par gravité) jusqu'au point d'évacuation. Il ne faut pas installer de tuyaux en diagonale entre l'appareil et le point d'évacuation.

GARANTIE LIMITÉE

Garantie de deux ans à partir de la date d'achat

Sous réserve des modalités et conditions énoncées ci-dessous, SFA-SANIFLO INC., (ci-après désignée comme la Compagnie) garantit qu'elle réparera ou remplacera, à son gré, le produit ou l'une quelconque de ses pièces, qui de l'avis de la Compagnie, se trouve défectueux ou ne répond pas à la performance demandée du fait d'un défaut de fabrication ou de matériau.

Si le remplacement doit s'opérer, il sera seulement valable pendant la première année à compter de la date d'achat. Les réparations sous garantie seront applicables après cette date jusqu'à la date de fin de garantie.

TERMES ET CONDITIONS

Les conditions de la garantie sont :

- Le produit doit être installé conformément selon l'usage décrit dans les manuels ci-joint
- Le produit doit être connecté à une prise électrique monophasée de 120V, 60Hz et ne doit être le sujet d'aucune négligence, accident ou exposition à des produits ou des substances nuisibles.
- Le prétendu défaut ou faute doit être rapporté soit à l'installateur soit à la Compagnie pendant la période de couverture de la garantie.
- La période de couverture de la garantie est valable 2 ans.

ÉCHANGE DE PIÈCE OU DE PRODUIT

Le produit pourra être échangé sans frais uniquement au point de vente où il a été acheté sous réserve des conditions suivantes:

- Le client doit avoir une «autorisation de retour » chez le fabricant afin de valider l'échange.
- Le client doit produire une preuve d'achat afin de valider l'échange.

RESTRICTIONS

1. La garantie ne couvre pas les frais de branchement et rebranchement de l'installation (c.-à-d. les frais de main-d'œuvre) qui sont à la charge du client ;
2. La garantie ne couvre pas les frais d'expédition ou de transport quand une pièce ou des pièces de l'appareil doit(vent) être réparé(e)s à l'usine ;
3. En aucun cas la Compagnie ne sera tenue responsable des dommages accessoires ou indirects, pertes ou blessures, de quelle que nature que ce soit, résultant de l'utilisation du produit, ou de l'un de ses composants ;
4. La garantie est transférable seulement si l'appareil demeure à l'endroit où il fut installé initialement.

Sauf pour ce qui est des termes de cette garantie limitée, la Compagnie n'accepte aucune autre garantie, implicite ou explicite, ayant trait au produit ou à tout composant y afférent, incluant sans toutefois s'y limiter, toute autre garantie implicite quant à la valeur marchande ou l'adaptabilité de ce produit à une fin particulière.

Pour le service et d'autres demandes de renseignements, veuillez appeler à l'une des adresses indiquées ci-dessous.

États-Unis

SFA-SANIFLO INC.
105 Newfield Avenue, Suite A
Edison, NJ 08837

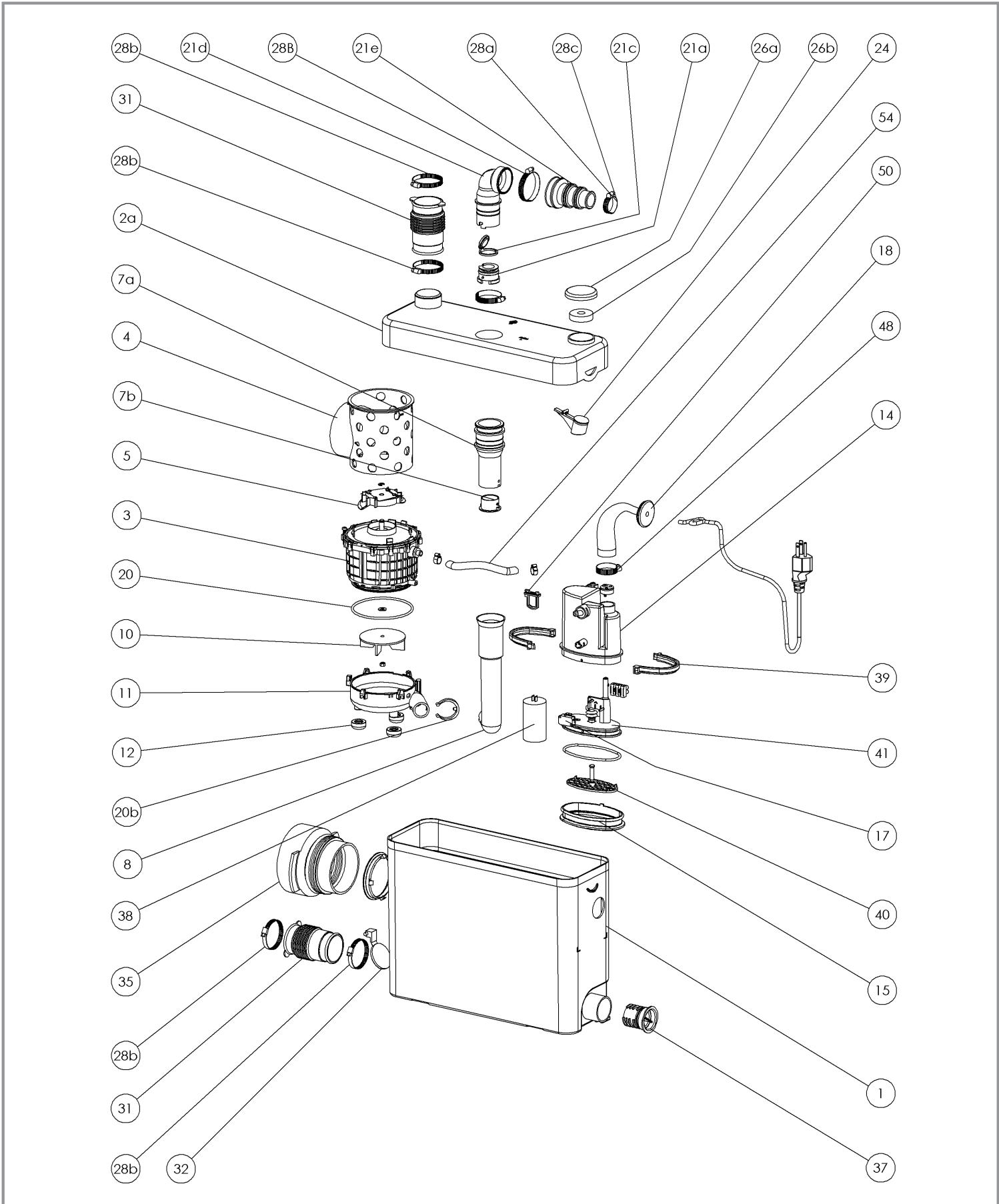
Canada

SFA-SANIFLO INC.
1-685 Speedvale Avenue West
Guelph (Ontario)
N1K 1E6

Numéro sans frais : 800-571-8191
Téléphone : 732-225-6070
Télécopieur : 732-225-6072
Courriel : sfasales@saniflo.com
Site Web : www.saniflo.com

Numéro sans frais : 800-363-5874 Anglais
Numéro sans frais : 800-877-8538 Français
Téléphone : 519-824-1134
Télécopieur : 519-824-1143
Courriel : sales@saniflo.com
Site Web : www.saniflo.ca/fr

SANIPACK®



© SFA-SANIFLO - 07/2012 - D10514 - Graphic Plus +33/1/5399 9605.

WE RESERVE THE RIGHT TO MAKE MODIFICATIONS IN THE FURTHERANCE OF TECHNICAL DEVELOPMENT. SOUS RÉSERVE DE MODIFICATIONS DANS LE BUT D'AMÉLIORER NOS PRODUITS.